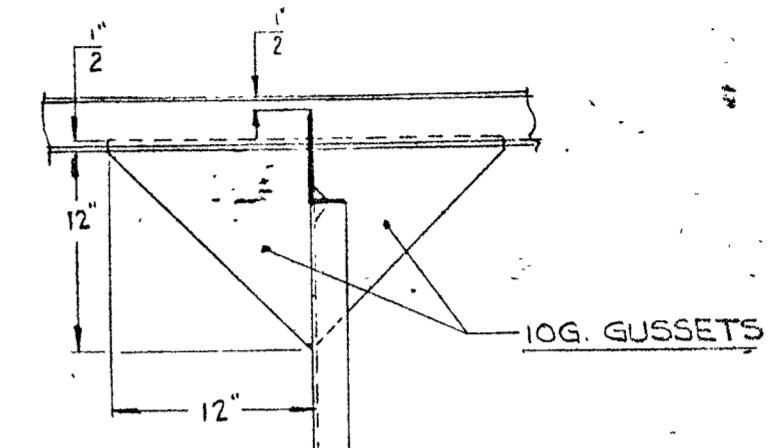
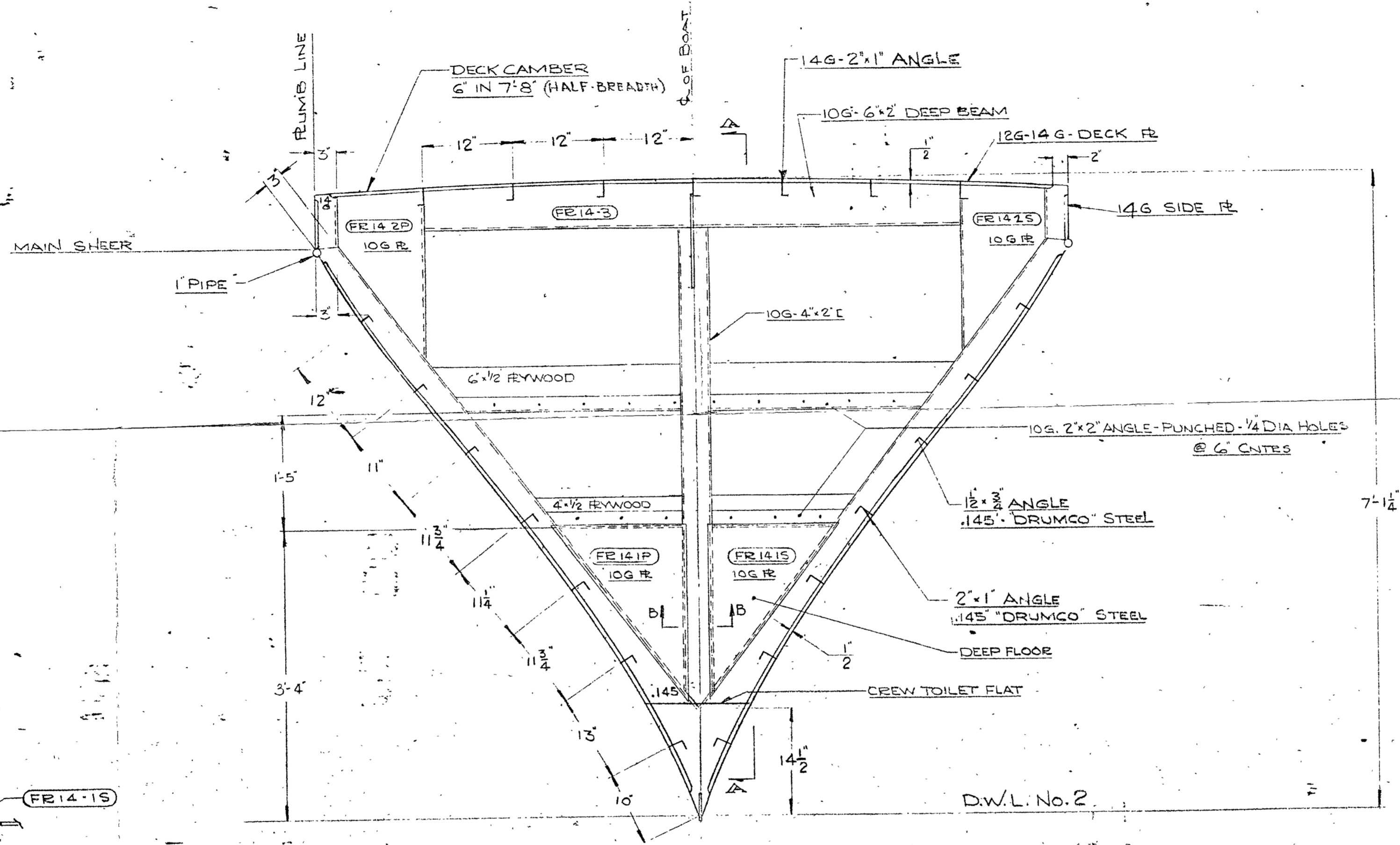
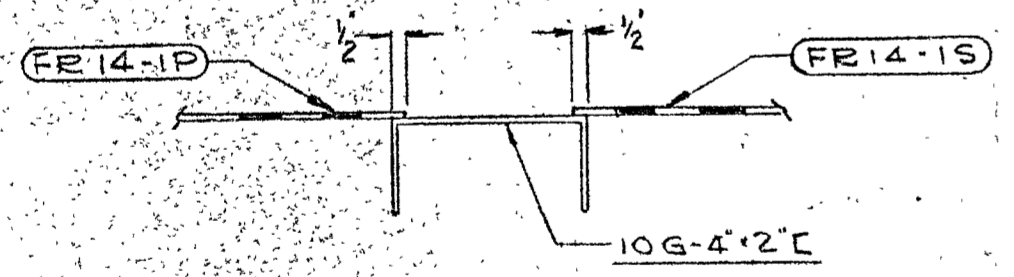


FRAME No. 14 LOOKING FORD



SECTION A-A



SECTION B-B

"STEELWORK"	
52'-4" HULL 1084	
RUSSELL-HIPWELL ENGINES LTD. OWEN SOUND, ONTARIO	
FR.# 14-N.W.T. BLK HD	
SCALE: 1" = 1' FT	DRAWN BY: J. SCOTT 1084
DATE: AUG-22-65	CHECKED BY: STC 16

REVISED JAN-16-56